



PROFESSIONAL  
OUTDOOR LIGHTING

Type:

Model:

Project:

## SPECIFICATION SHEET

### MODEL 2265-BSO Landscape Series • Brass & Copper • Path & Spread Lights

#### FIXTURE SPECIFICATIONS:

**HOUSING:**

Die-cast, brass.

**STEM:**

1/2" brass pipe with 1/2" NPT.

**FINISH:**

Olde Brass

**LENS:**

Clear, high-impact, polycarbonate lens.

**LAMP TYPE:**

Vista T3 LED lamp only, 2.5 watt standard.

**ELECTRICAL:**

Input voltage range 9-15V AC, regulated to achieve uniform illumination throughout the cable run of fixtures.

**MOUNTING:**

Bottom of stem threaded with 1/2" NPT. Fixture may be mounted into threaded hubs in junction boxes, ground stakes, or floor-mounting canopies. Please see fixture ordering information for mounting selection.

**FASTENERS:**

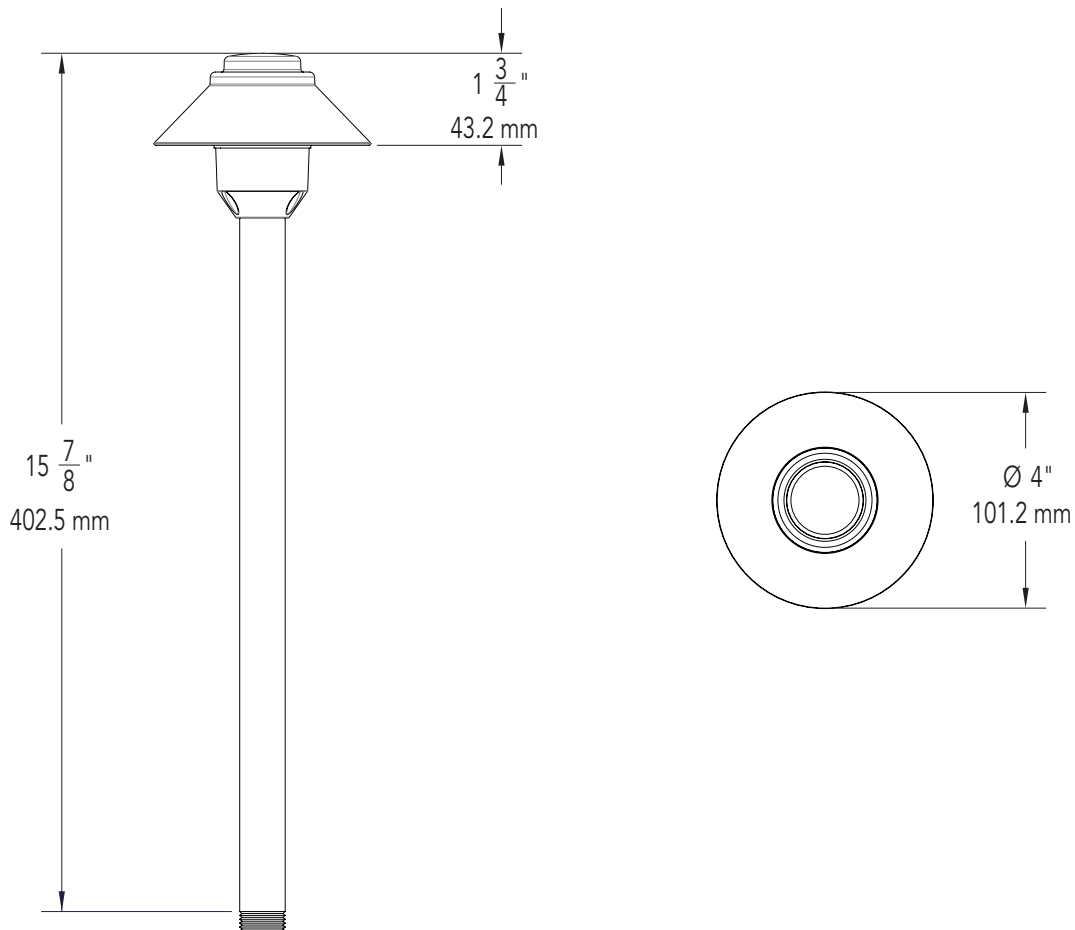
All fasteners are stainless steel.

**WIRING:**

Prewired with a three-foot pigtail of 18-2 direct-burial cable and underground connectors for a secure connection to supply cable.

Designed and Assembled **IN THE U.S.A.**

#### DIMENSIONS:



Vista Professional Outdoor Lighting reserves the right to modify the design and/or construction of the fixture shown without further notification.



## SPECIFICATION SHEET

---

### MODEL 2265-BSO Landscape Series • Brass & Copper • Path & Spread Lights

#### FIXTURE ORDERING INFORMATION

TO ORDER FIXTURE: Select appropriate choice from each column as in the following example.

**EXAMPLE: PR-2265-BSO-2.5-W-T3**

MOUNTING	MODEL	FINISH	WATTAGE	COLOR TEMP	LAMP
PR - ABS ground stake	2265	BSO - Olde Brass	2.5	W - Warm	T3

Fixtures shipped with standard lamp, unless otherwise specified.  
Fixtures shipped with specified mounting hardware.