



**PROFESSIONAL
OUTDOOR LIGHTING**

Type:

Model:

Project:

SPECIFICATION SHEET

MODEL 2120 Landscape Series • Brass & Copper • Up & Accent Lights

FIXTURE SPECIFICATIONS:

HOUSING:

Heavy-gauge, extruded, solid copper or stainless steel housing fitted to a precision CNC-machined, solid brass base with a dual silicone O-ring gasket – providing a superior weather-tight seal.

FINISH:

Brushed natural copper.

SOCKET/LAMP HOLDER:

Top grade ceramic socket with nickel contacts, stainless steel springs, and Teflon-jacketed wire leads.

LENS:

Clear, tempered, shock and heat-resistant, soda-lime glass lens. Optical effect lenses are available; see accessories column on fixture ordering information chart.

LAMP TYPE:

- MR-16 Halogen – 35W maximum. LN-20 BAB (20W) Standard.
- MR-16 LED Lamp - 36° Flood, 4.5W is standard.

MOUNTING:

Cast brass adjustable knuckle with 1/2" NPT. Fixture may be mounted into threaded hubs in junction boxes, ground stakes, tree-mount boxes, or

mounting canopies. Please see fixture ordering information for mounting selection. Please see fixture ordering information for mounting selection.

FASTENERS:

All fasteners are stainless steel.

WIRING:

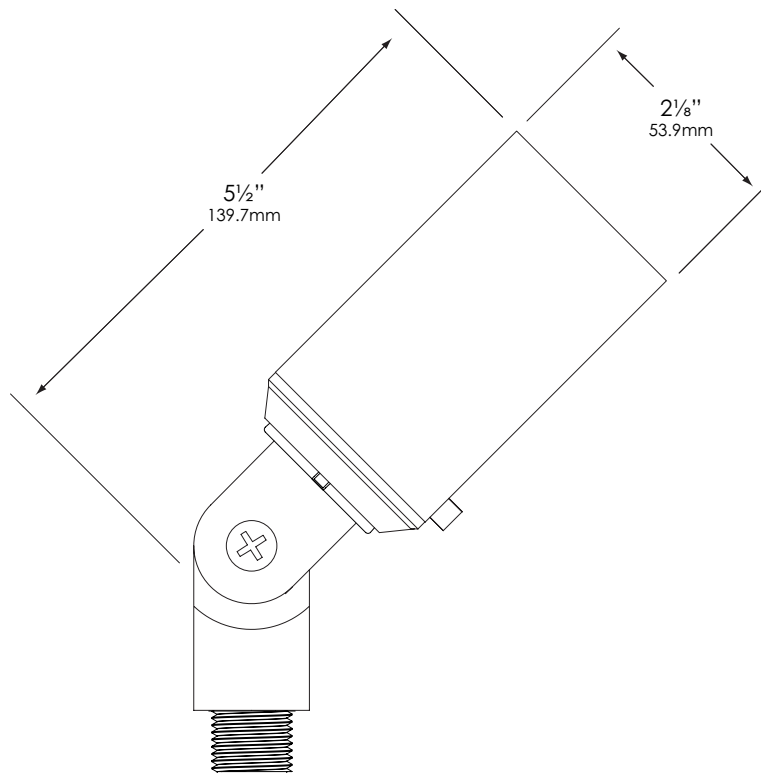
Prewired with a three-foot pigtail of 18-2 direct-burial cable and underground connectors for a secure connection to supply cable.

CERTIFICATION:

UL Listed to U.S. and Canadian safety standards for low voltage landscape luminaires (UL 1838). Maximum wattages allowed by Underwriters Laboratories (UL) for U.S. and Canadian markets may vary. Maximum wattages specified are Underwriters Laboratories U.S. standard. Please contact Vista for any questions about maximum wattages allowed by UL Canadian standards.

All Vista luminaires are **MADE IN U.S.A.**

DIMENSIONS:



Vista Professional Outdoor Lighting reserves the right to modify the design and/or construction of the fixture shown without further notification.



SPECIFICATION SHEET

MODEL 2120 Landscape Series • Brass & Copper • Up & Accent Lights

FIXTURE ORDERING INFORMATION

TO ORDER FIXTURE: Select appropriate choice from each column as in the following example.

EXAMPLE: GR-2120-CSN-BAB-FR

MOUNTING	MODEL	FINISH	LAMP	ACCESSORIES
GR - ABS Ground Stake WR - Wall Mount Canopy	2120	CSN - Natural Copper SS - Stainless Steel	BAB - 20W LN-20 BAB Standard Halogen 4.5-W-36 - 4.5W LN16-4.5-W-A-36-LED Standard LED <i>(Please see lamp order code column in lamp guide of Vista product catalog)</i>	BL- Cool Blue lens SL- Spread lens FR- Flat Frosted lens DBL- Dark Blue lens GL- Dark Green lens RL- Red lens YL- Amber lens HL- Honeycomb louver

Fixtures shipped with standard lamp, unless otherwise specified.
Fixtures shipped with specified mounting hardware.