



**PROFESSIONAL
OUTDOOR LIGHTING**

Type:

Model:

Project:

SPECIFICATION SHEET

MODEL 2117 Landscape Series • Brass & Copper • Specialty Lights

FIXTURE SPECIFICATIONS:

HOUSING:

Injection-molded, glass-reinforced Ryton® R-4 composite for strength and high UV stability – warranted for ten years against corrosion.

LENS COVER:

Grated, precision CNC-machined solid brass lens cover fitted to housing with a silicone O-ring gasketed lens – providing a superior weather-tight seal.

FINISH:

Natural brass lens cover. Housing available in black only.

SOCKET/LAMP HOLDER:

Top grade ceramic socket with nickel contacts, stainless steel springs, and Teflon-jacketed wire leads.

LENS:

Clear, tempered, shock and heat resistant, soda lime glass lens - crowned (convex) to avoid collection of underwater debris on lens. Optical effect lenses are available; see accessories column on fixture ordering information chart.

LAMP TYPE:

MR-16 Halogen – 50W maximum. LN-20 BAB/FG (20W) Standard.

MOUNTING:

Fully adjustable mounting bracket, to provide precise light aiming, mounted on a cement counter weight base for stable placement underwater.

FASTENERS/INSERTS:

All fasteners are stainless steel with brass inserts.

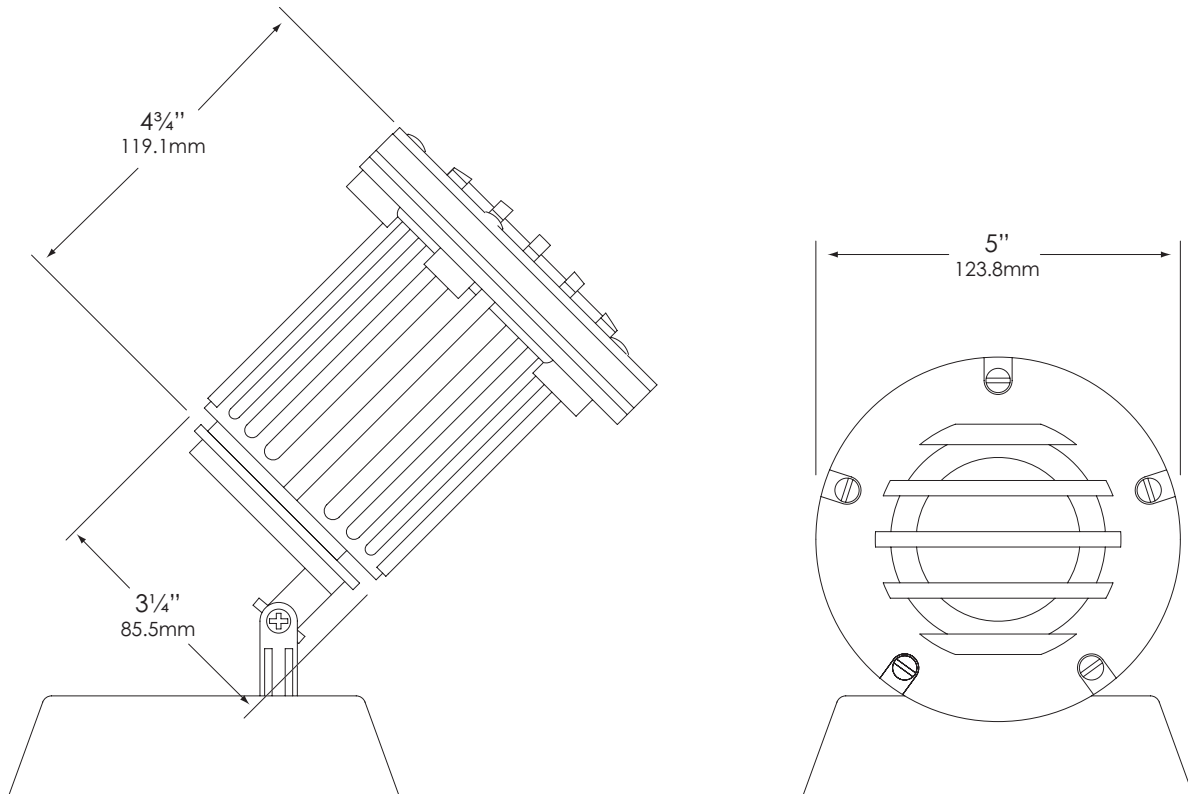
WIRING:

Prewired with a fifteen-foot pigtail of 18-3 double jacketed, water-resistant cable including a green ground wire in accordance with Underwriters Laboratories (UL) standards. Connectors for a required above-water connection are also included.

All Vista luminaires are **MADE IN U.S.A.**

Caution: Follow installation instructions as well as local electrical codes when installing underwater fixtures. Underwater fixtures are NOT for use in swimming pools or spas.

DIMENSIONS:



Vista Professional Outdoor Lighting reserves the right to modify the design and/or construction of the fixture shown without further notification.



SPECIFICATION SHEET

MODEL 2117 Landscape Series • Brass & Copper • Specialty Lights

FIXTURE ORDERING INFORMATION

TO ORDER FIXTURE: Select appropriate choice from each column as in the following example.

EXAMPLE: UW-2117-BSN-BAB-BL

MOUNTING	MODEL	FINISH	LAMP/LED	ACCESSORIES
UW- Underwater	2117	BSN- Natural Brass BSO - Olde Brass	MR-16 Halogen 50W maximum LN-20 BAB/FG (20W) Standard (Please see lamp order code column on lamp guide, Vista product catalog.)	BL- Flat Cool Blue lens CBL - Crowned Cool Blue lens CFR - Crowned Frosted lens SL- Flat Spread lens DBL- Flat Dark Blue lens GL- Flat Dark Green lens RL- Flat Red lens YL- Flat Amber lens HL- Honeycomb louver

Note: Underwater fixtures NOT for use in swimming pools or spas.