

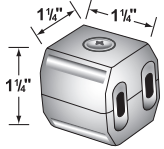
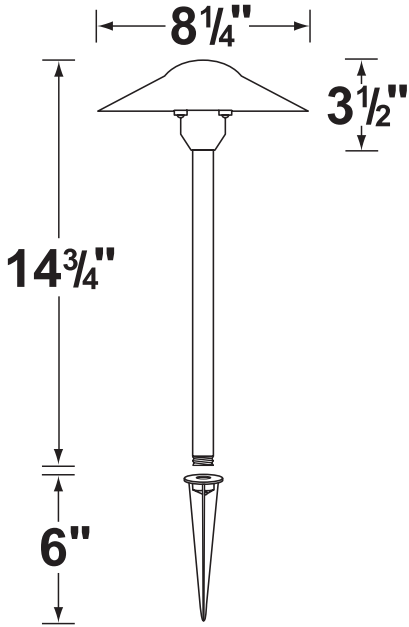



|                                    |  |   |   |
|------------------------------------|--|---|---|
| <b>CL-616</b>                      |  |  <p style="text-align: center;">CL-616</p>  |  <p style="text-align: center;"><b>XENON</b><br/><b>HALOGEN</b><br/><b>AVAILABLE</b></p> |
| <b>Product Specification Sheet</b> |  |   |   |
| <b>HOUSING:</b>                    | Die-cast aluminum.   |   |   |
| <b>FINISH:</b>                     | Polyester UV powder coated, available in <b>BK</b> -Black, <b>BZ</b> -Bronze, <b>GR</b> -Green, <b>RT</b> -Rust, <b>VG</b> -Verde Green. |   |   |
| <b>LAMP TYPE:</b>                  | 12V, S.C. bayonet, 27W max.<br><br>See lamp guide for xenon and halogen lamps with S.C. bayonet base.                                    |  <p style="text-align: center;">CX-839<br/>CORONA UNIVERSAL<br/>CONNECTOR AVAILABLE</p>  |   |
| <b>MOUNTING:</b>                   | Cast aluminum stem with 1/2" NPT on bottom, including ground spike.<br><br>See accessories & parts for optional mounting hardware.       |   |   |
| <b>WIRING:</b>                     | Fixture is prewired with a 3-foot pigtail of direct burial cable.  |   |   |
|                                    |  |   |   |
|                                    |   |  <p style="text-align: center;"><b>CORONA</b><br/>Lighting</p> <p style="text-align: center;">WWW.CORONALIGHTING.COM</p> <p style="text-align: center;">Tel: 800-727-9262<br/>213-747-4500</p> <p style="text-align: center;">Fax: 800-727-9957<br/>213-747-3234</p> |   |

- Fixture is supplied with 18W S.C. bayonet lamp.
- Remote 12 Volt transformer is required.
- See transformers and accessories for variety of options and choices.
- When ordering, add the 2 letter color code to the end of the product number.